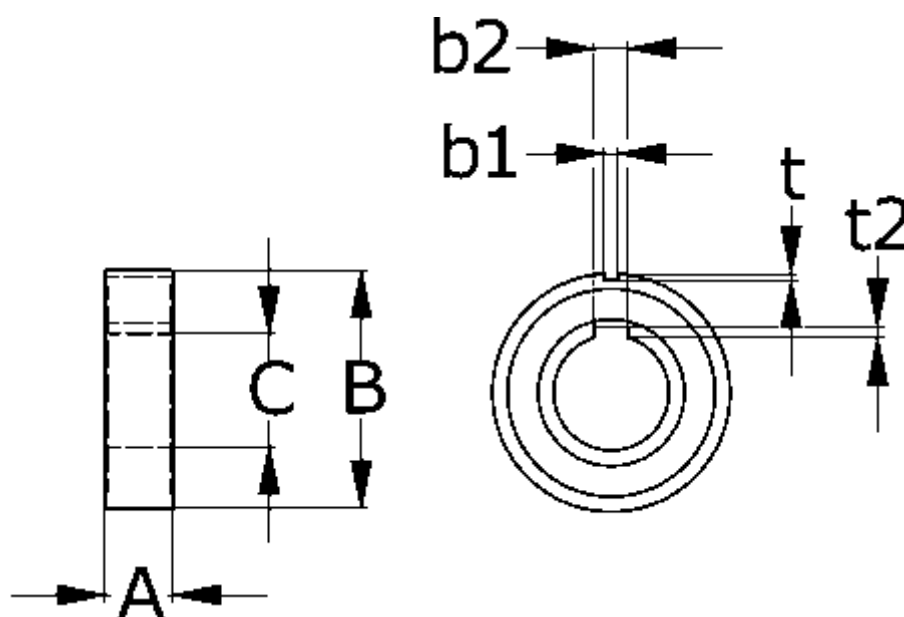


Article number: 5798011703

Description: Tsubaki Cam clutch bearing BB17-2K-K (6203)  
d=17 D=40 T=12, with keyway on inner & outer race steel sealed

## Measures



A	= 12
B	= 40
b1	= 2
b2	= 5
C	= 17
t1	= 1
t2	= 1.2
Torque (Nm)	= 43